

# MC30XA PWM MESH IP68 Waterproof LED grouping controller

## MC30XA Series controllers+MESH Series remote control Specification

CE RoHS



MC301A/DIM

MC302A/CCT

MC303A/RGB

MC304A/RGBW

MC305A/RGBCT

**Compatible remote controls** A single device can support 10 remote controls at the same time



MR101/DIM

MR102S/CCT

MR102/CCT

MR103/RGB

MR104/RGBW

R-105/RGBCT

MR011/DIM

MR023/3 WAY

IP68 Waterproof MESH LED Controller is a LED product with IP68 waterproof performance, which is used to control various lamps with led as light source, and its controller can support MESH signals.

The connection adopts the advantages of waterproof interface, shell laser marking is not easy to fall, flexible and fast operation, convenient wiring, etc., which can be widely used in outdoor, decoration scene lighting and other places

### peculiarity

- MESH wireless transmission technology, stable signal and strong penetration.
- Support matching multiple devices, multiple devices can be controlled at the same time, and one remote control can manage and synchronize up to 500 controllers. Each controller can be supported by 10 remote controls.(Control distance 30 meters)
- The brightness of the remote control can be adjusted according to personal preference, and the brightness and speed of the dynamic mode can be edited.
- Device click to run and automate, automatic transfer and synchronization function.
- PWM (Pulse Width Modulation) technology is adopted to ensure smooth light transition and avoid eye fatigue.
- Support multi-controller cascade, easily cover large-area lighting scenes such as shopping malls, theaters, building facades, etc.
- With IP68 protection level, it can completely prevent dust from entering, and can work normally in a long-term immersion environment, can resist heavy rain, water splash, soaking, etc., and is suitable for outdoor humid environments, underwater environments and indoor high-humidity places

### Device parameters

#### LED controllers

Input voltage	DC 5-24V
Input current	6/CH; 15A max
Access signal	MESH
Control the distance	30M
Size	L113XW39XH25mm
Authentication	CE,ROHS

#### LED remote control

voltage	3V(AAA*2PCS)
Operating current	10mW
Transmission frequency	MESH (2.4GHz)
Transmit power	6dBm
Color temperature range	2700K-6500K
Dimming range	1-100% Infinitely dimming

**Environment**

Operating temperature	Ta: -20°C ~ +60°C
Maximum temperature of the case	Tc: +65°C
IP rating	IP20

**Wrap**

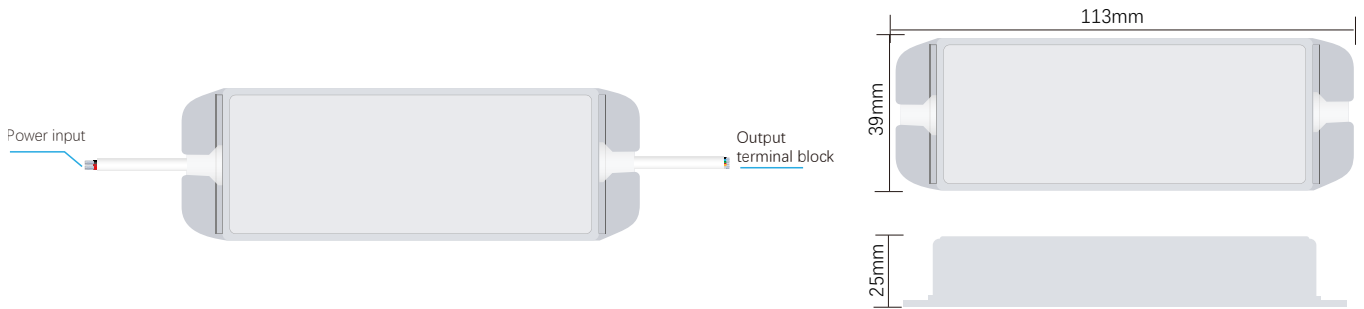
Package size	L11.6XW4.55XH2.45cm/0.06kg
Box size (100 pcs)	L42.5XW26.5XH17cm/6kg

Remote control distance	30M
Size	L122XW53XH21mm
Operating temperature	Ta: -20°C ~ +60°C
Authentication	CE,ROHS

**Wrap**

Package size	L13XW5.8XH2.7cm/0.105kg
Box size (100 pcs)	L27XW30XH15cm/11kg

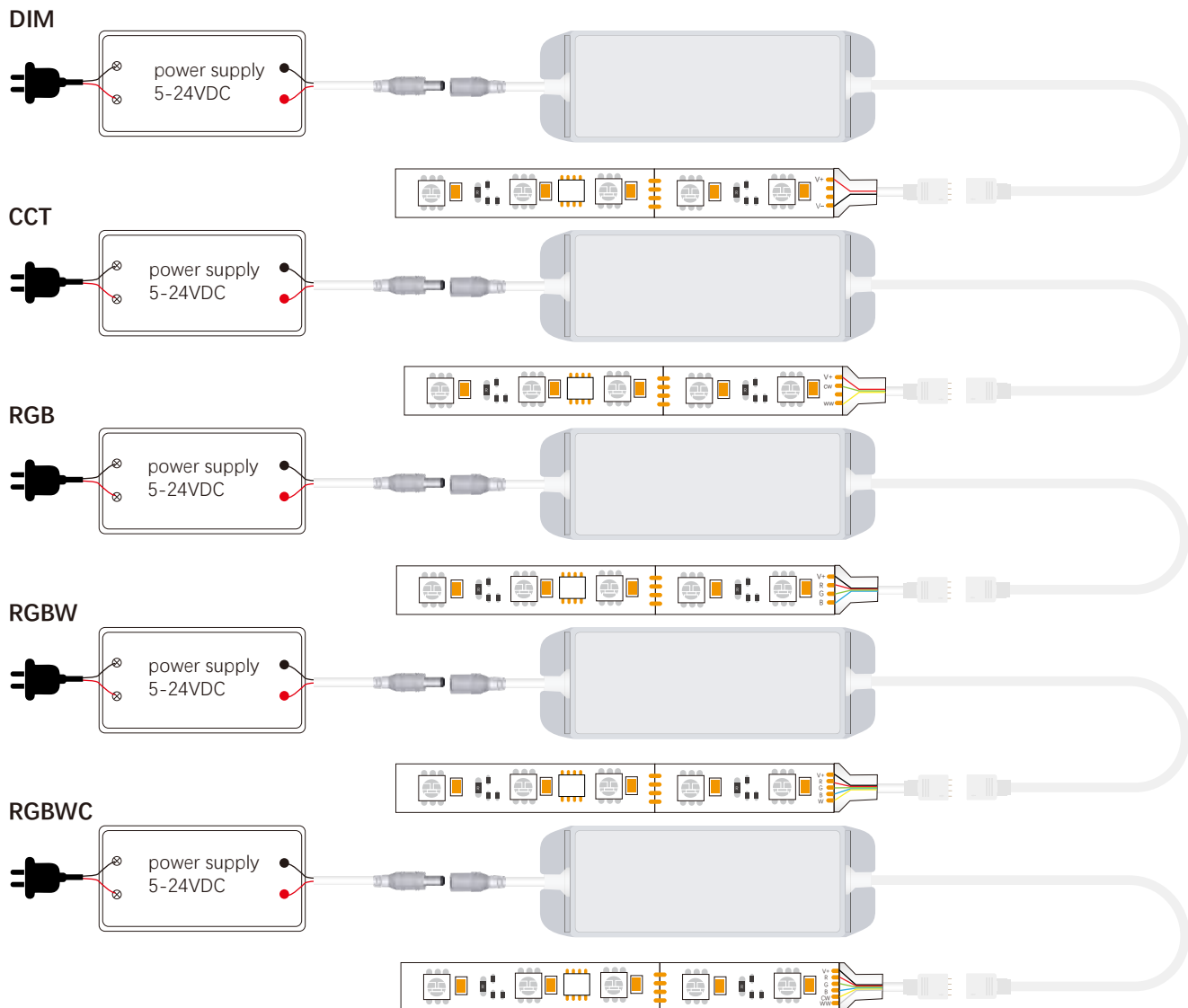
**Equipment mechanism and installation**



**Wiring diagram of the device**

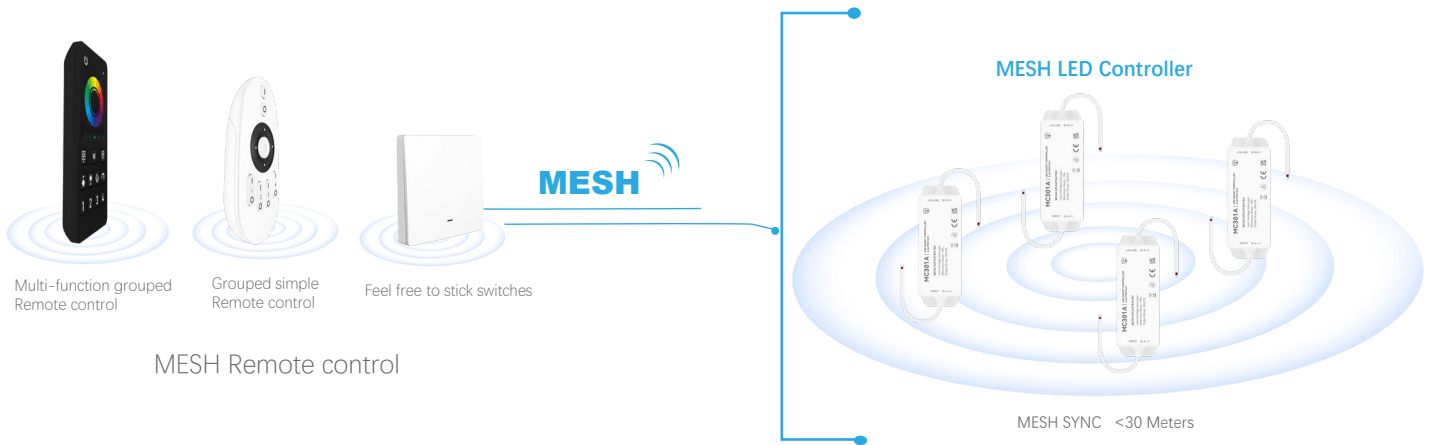
**Connect the strip light**

AC100-240V



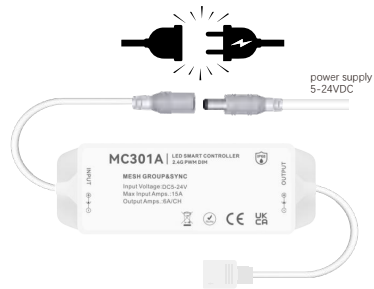
## Schematic diagram of the control connection

### MESH wireless communication technology



### Product function description & reset the device

function		Power-off mode
'SET'key	ON/OFF	NVA
MESH Remote Control	The remote control is paired	3 Times
Clean up and reset		10 Times

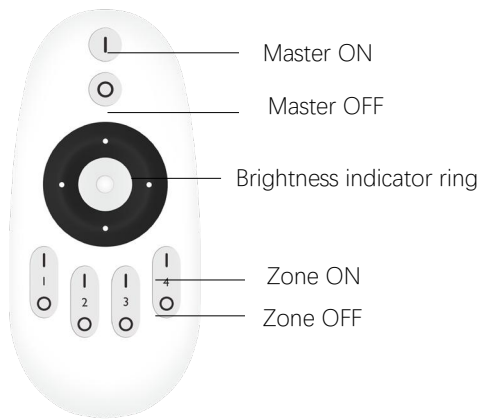


### Description of the function of the remote control

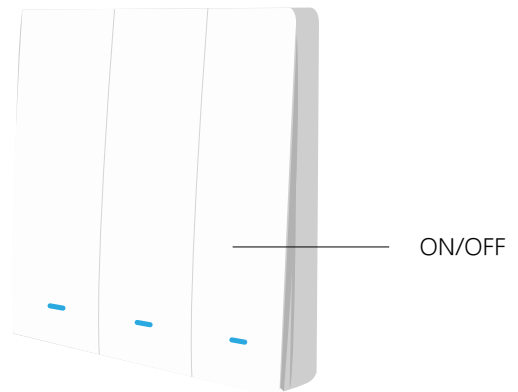
#### Multi-function grouped remote control

Main ON/OFF button    **1 2 3 4** Grouping key    Short press; Select the key function. Long press; Perform key functions.

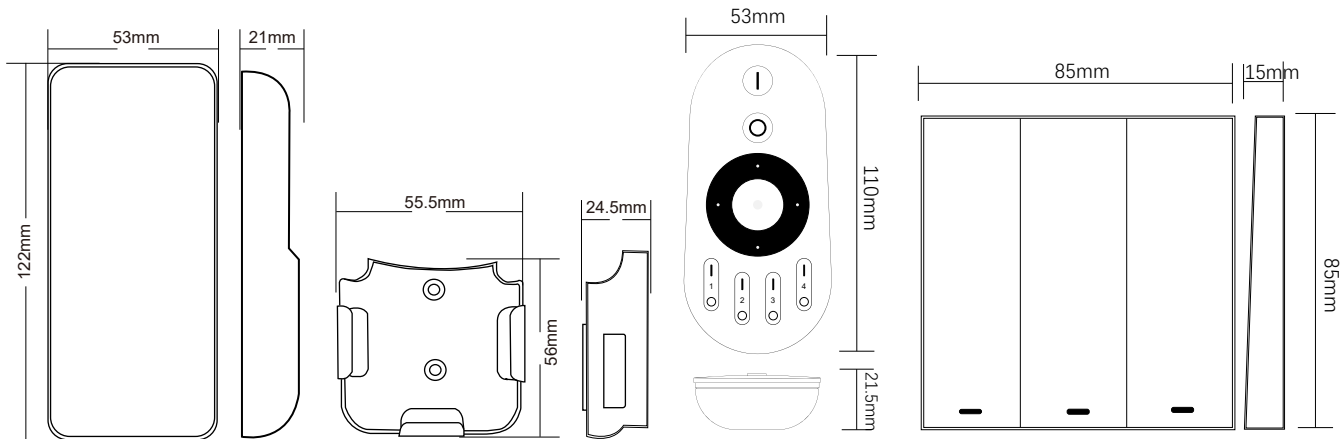




Grouped simple Remote control



Feel free to stick switches



## Safety Precautions

1. The remote control is a precision electronic product, please do not use it in a humid or high temperature environment for a long time. If not in use for a long time, remove the battery and store it in a cool, dry place.
2. Do not use this device in a large area of metal or in an environment with strong electromagnetic waves nearby, otherwise it will seriously affect the control distance
3. Please check whether the input voltage of the constant voltage power supply meets the requirements of the controller, and check whether the connection of the cathode and anode is correct.
4. The working voltage is DC 5~24V, if the voltage is higher than 24V, the controller will be damaged.
5. Non-professional users cannot directly disassemble the controller, otherwise it may cause fire and electric shock.
6. The working temperature (Ta) is -20~60°C; Do not use the device in direct sunlight, humidity, or other high-temperature areas.
7. When the equipment load reaches 15A, the wire diameter must be more than 1.5 square millimeters
8. When the device load exceeds 10A, the connection cable from the DC port to the LED strip must be shorter than 40cm.
9. Please install the device in a good heat dissipation area.